

## 1 x SINGLE SLIDING DOOR IN GUTTER SIDE (Type 4)

This page is designed to give you the basic assembly techniques required to install 1 sliding door into the gutter side of your Stratco Gable Homeshed. Please use this page in conjunction with the main set of instructions supplied, "Stratco Gable Homesheds, Framework".

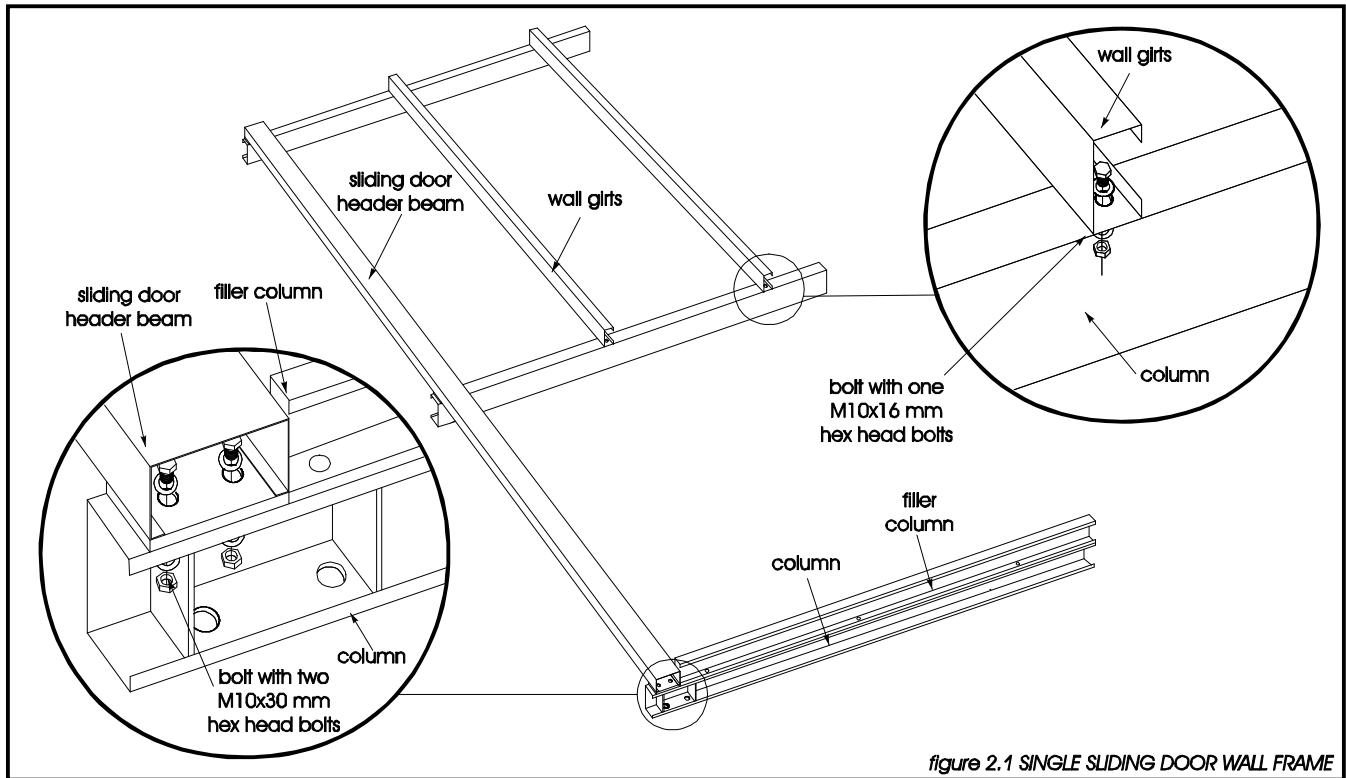


figure 2.1 SINGLE SLIDING DOOR WALL FRAME

### Step 1 wall frame

Lay the lipped c-section columns on the ground making sure the open side of each column is facing the correct way.

As a general rule, the open side of each column will face the rear of the Homeshed, except the front columns which face the front of the Homeshed.

### Step 2

Place the sliding door header beam across the columns and match the pre-drilled holes as illustrated in figure 2.1 SINGLE SLIDING DOOR WALL FRAME.

Fix the header beam to each column with two M10x30mm hex head bolts. Use 2 washers, each side of the material being clamped.

### Step 3

Place the wall girts across the columns, leaving an opening between the columns where the sliding doors are positioned.

Match the pre-drilled holes and fix each girts to each column with a M10x16mm hex head bolt. Use 2 washers, each side of the material being clamped.

### Step 4

Place the filler column on top of the front end column as illustrated in figure 2.1 SINGLE SLIDING DOOR WALL FRAME.

Match the pre-drilled holes and fasten both columns together with three M10x16mm hex head bolts.

### Step 5 end panel wall sheets

Commence sheeting from the front of the Homeshed, ensuring the under-lap lip is aligned with the edge of the wall girts.

Pan fix the Stratco Superdek wall sheets with 10x16mm self tapping screws at every wall sheet and girt junction.

Check the wall frame remains square as the wall sheets are fixed.

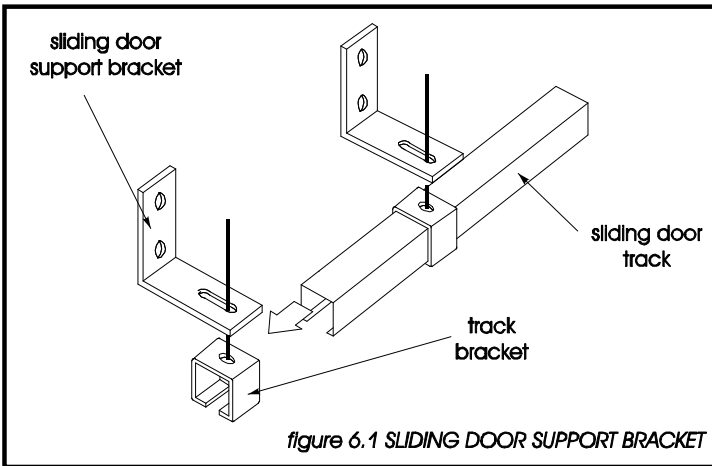
### Step 6

Use an M8x12mm counter sunk bolt to fix the single support bracket to the track bracket as illustrated in figure 6.1 SLIDING DOOR SUPPORT AND BRACKET.

Push the sliding door track through the brackets and space at 800 mm centres.

Slide two nylon 4 wheel carriages into the end of each sliding door track.

## 1 x SINGLE SLIDING DOOR IN GUTTER SIDE (Type 4)



### Step 7

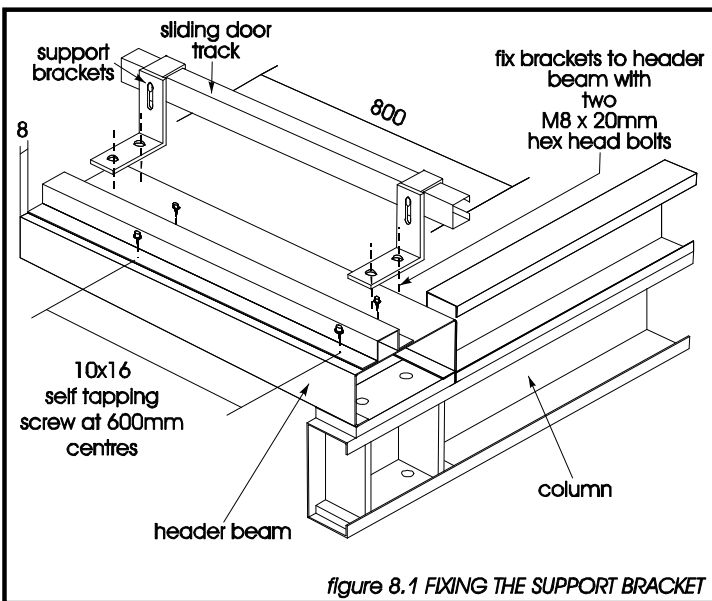
Fix the sliding door single support brackets to the header beam with M10x16mm hex head bolts at 800mm centres.

Position the support bracket so the top face of the bracket is flush with the bottom of the header beam as illustrated in *figure 8.1 FIXING THE SUPPORT BRACKET* and *10.1 SLIDING DOOR ASSEMBLY*.

### Step 8

A "top hat" shaped flashing has been supplied to pack the area above the sliding door. Fix the "top hat" flashing length to the header beam at 600mm centres with 10x16mm self tapping screws. This is illustrated in *figure 8.1 FIXING THE SUPPORT BRACKET*.

Position the "top hat" flashing length 8mm below the top edge of the header beam.

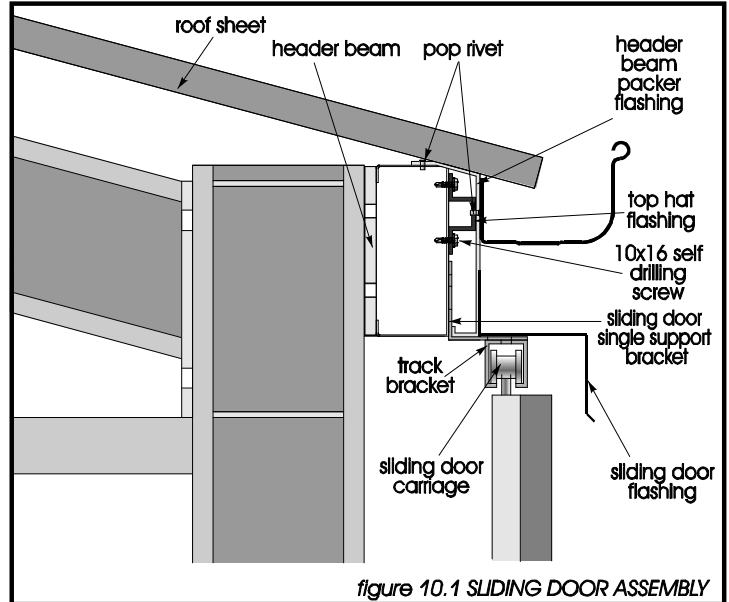


### Step 9

Fix the header beam packer flashing to the "top hat" flashing and header beam with pop rivets at approximately 300mm centres.

### Step 10

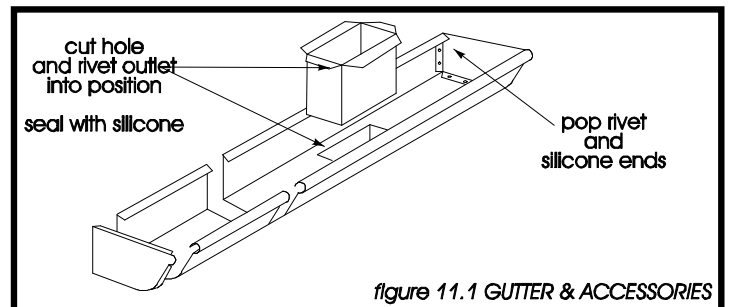
Pop rivet the sliding door flashing to the packer flashing at 300 mm centres. Position the flashing above the track as illustrated in *figure 8.1* and *10.1*.



### Step 11 gutter and downpipe

Pop rivet a left and right hand stop end to each length of gutter. Seal with silicone.

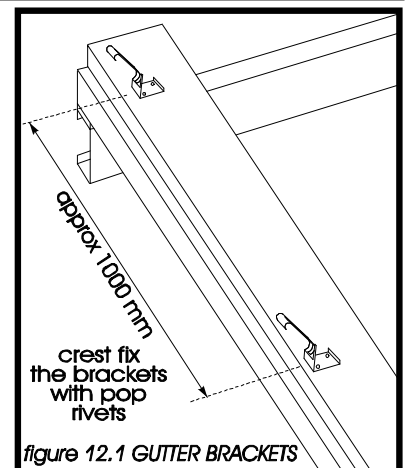
Cut a hole for each downpipe outlet and rivet the outlet into position. Seal with silicone.



### Step 12

Crest fix the gutter brackets to the header beam flashing at approximately 1000 mm centres with pop rivets.

Once the gutter brackets have been installed, roll the gutter bead onto the gutter bracket and clip the back of the gutter into position.



### Step 13 standing wall frame

Stand the wall frame in the footing holes, and temporarily brace it with props.

## 1 x SINGLE SLIDING DOOR IN GUTTER SIDE (Type 4)

### Step 14

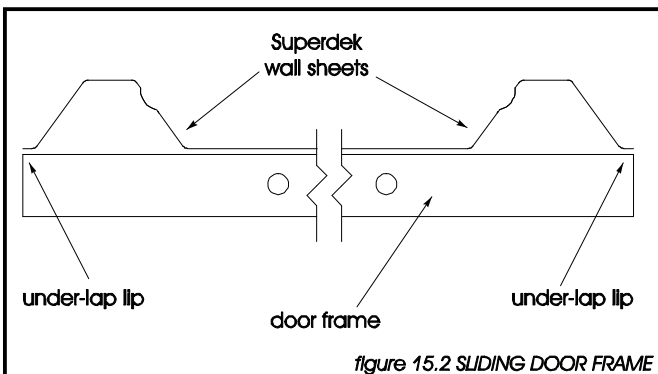
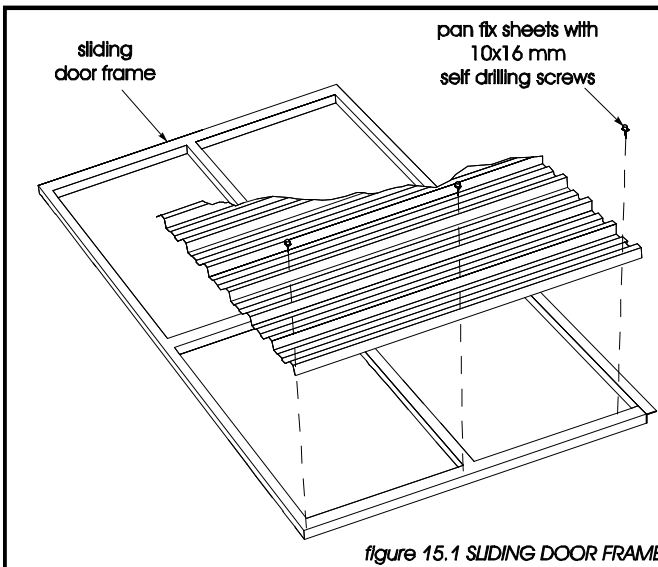
Fix a track stop into each end of the front sliding door track.

### Step 15 sliding door frame

Pan fix the Stratco Superdek wall sheets to the sliding door frame with 10x16mm self tapping screws as illustrated in figure 15.1 SLIDING DOOR FRAME.

Start from one end, ensuring the under-lap lip is aligned with the edge of the frame.

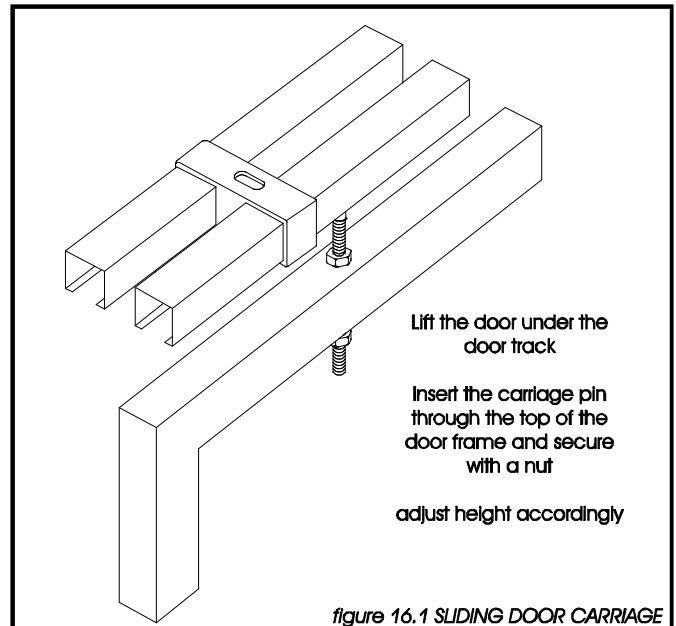
Rotate the final sheet, fixing the under-lap lip to the other end of the frame as illustrated in figure 15.2 SLIDING DOOR FRAME.



### Step 16

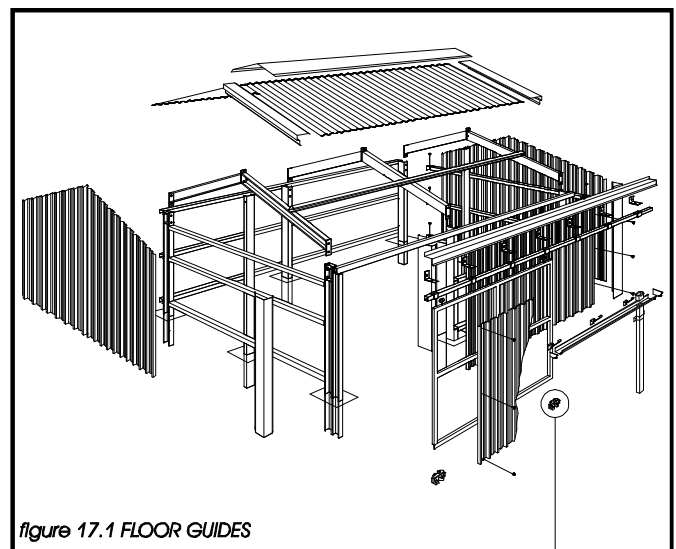
Lift the door, and stand it directly under the door track. Insert the carriage pin through the top of the door frame and secure with a nut as illustrated in figure 16.1 SLIDING DOOR CARRIAGE.

Adjust the height of the door accordingly. Ensure the door slides before footings are poured.



### Step 17

Once the footings have been poured, bolt the polycarbonate floor guides to a concrete base with four M8.0x65mm masonry anchors.



### Step 18 sliding door lock

Please refer to the Manufacturer's installation details for the sliding door lock assembly instructions.

